

SU7 Cantilever Umbrella

(360° rotation)



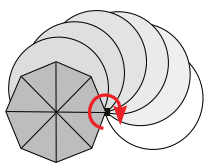
- Marine grade, powder coated aluminium, stainless steel and other non-corrosive materials
- Brilliant international award winning design
- Up & down in 'one easy sliding movement'
- Effortless gas strut assisted deployment
- Umbrella rotates 360°
- Durable, heavy-duty aluminium mast
- Premium 100% solution dyed Acrylic Canvas fabric canopy (UPF 50+)

FIXING OPTIONS

- | | |
|--|---|
| <input checked="" type="checkbox"/> In-ground Anchor | <input checked="" type="checkbox"/> Portable Base |
| <input checked="" type="checkbox"/> Surface Plate | <input checked="" type="checkbox"/> Wall Fixing |

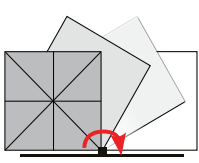
ROTATING

GROUND MOUNTED
(Square or Octagon)



ROTATES 360°

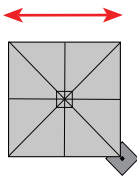
WALL MOUNTED
(Square or Octagon)



ROTATES 180°

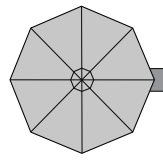
SIZES

2.5m / 3.0m



SQUARE

3.5m / 4.2m



OCTAGON

WARRANTY**

5 year
CANOPY
warranty

**Conditions Apply

TRUSTED
FOR OVER 21 YEARS

FABRIC COLOUR



ARCTIC
WHITE



WHITE
SAND



BUTTERCUP



BITTER
ORANGE



TERRACOTTA



TAUPE



MIDNIGHT
BLUE



OLIVE
GREEN



BLACK
WIDOW



SLATE
GREY



CHARCOAL



RED



CHARCOAL
TWEED



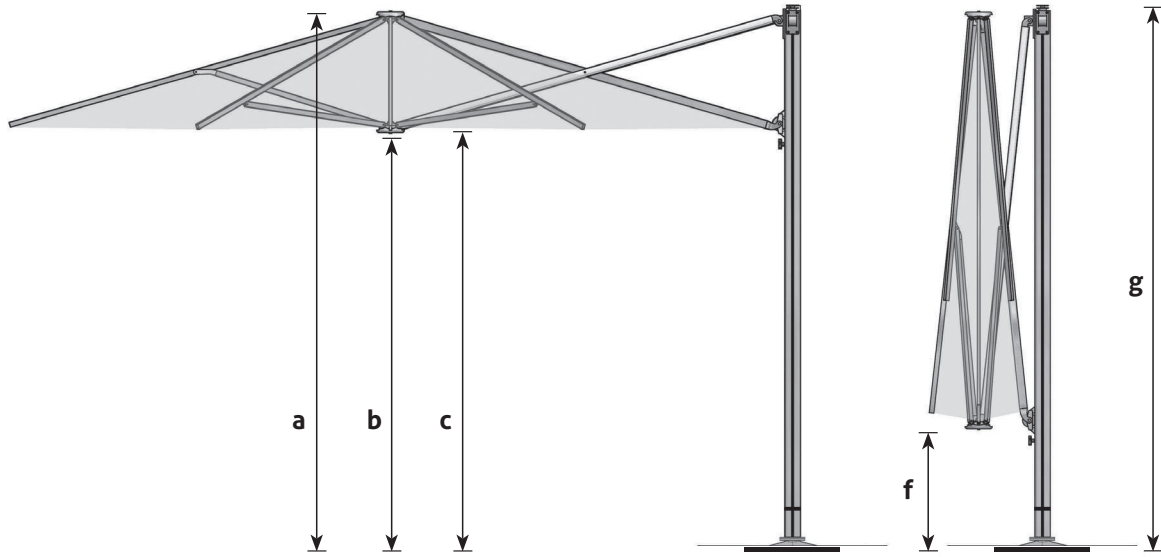
MAST



SU7 Cantilever Umbrella

(360° rotation)

Key Dimensions (excludes portable base - portable base increases height dimensions by 12cm):



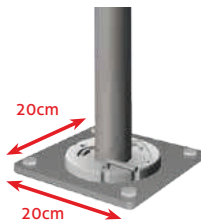
	2.5m Square	3.0m Square	3.5m Octagon	4.2m Octagon
Dimensions of open umbrella				
a: Total height to top of canopy (cm)	+/- 278	+/- 278	+/- 278	+/- 278
b: Distance from ground to central frame hub (cm)	+/- 212	+/- 212	+/- 212	+/- 212
c: Height to lower outer edge of canopy (cm)	+/- 217	+/- 217	+/- 217	+/- 217
d: Distance from centre of mast to outside edge of canopy (cm)**	+/- 257	+/- 307	+/- 363	+/- 436
e: Diagonal distance from centre of mast to opposite / furthest corner of umbrella (diameter) (cm) **	+/- 363	+/- 436	+/- 363	+/- 436
Dimensions of closed umbrella				
f: Distance from ground to central frame hub (cm)	+/- 78	+/- 42	+/- 78	+/- 42
g: Overall height of umbrella to top of mast cap (cm)	+/- 276	+/- 276	+/- 276	+/- 276

** Refer plan diagrams in table.

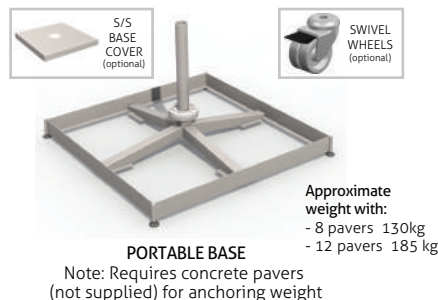
INSTALLATION OPTIONS:



IN-GROUND ANCHOR



SURFACE PLATE



WALL FIXING